

ELATE SW 5/6/9/10
HYBRID OVATION 4/5/6
DOTECH MKII 4/5/6

WOOFERS

Installation Guide



www.morelhifi.com

ELATE SW PACKAGE CONTENT

ELATE SW WOOFER MOUNTING

5" ELATE SW WOOFER



X2



X2



X8

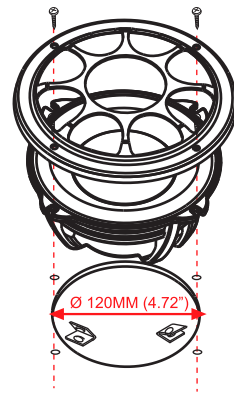


X8

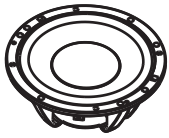


X2

5" UNIT MOUNTING



6" ELATE SW WOOFER



X2



X2



X8

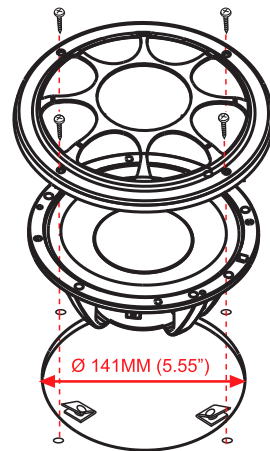


X8

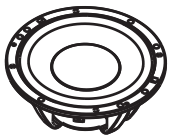


X2

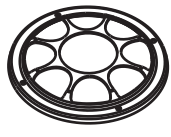
6" UNIT MOUNTING



9" ELATE SW WOOFER



X2



X2



X8



X8

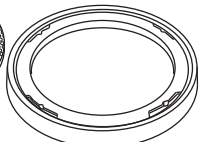


X2

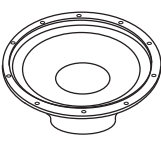
10" ELATE SW WOOFER



X2



X2



X2



X8

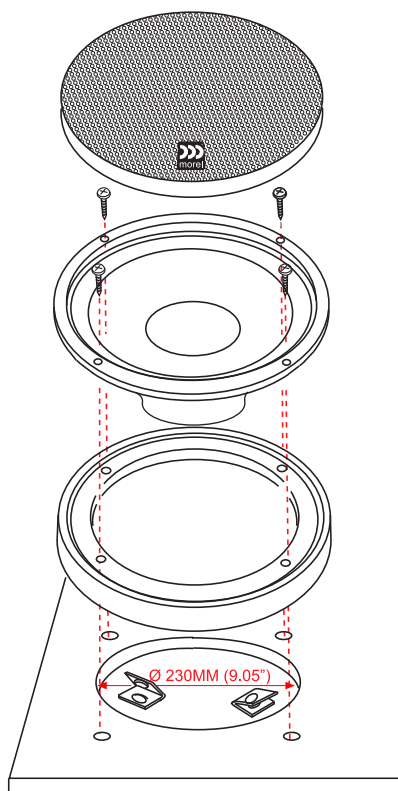


X8

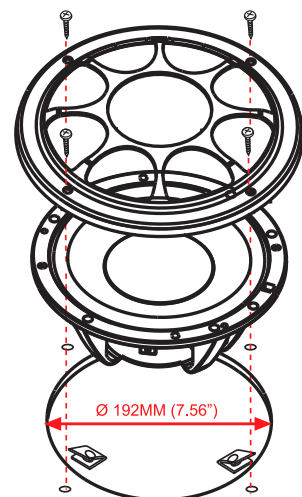


X2

10" UNIT MOUNTING

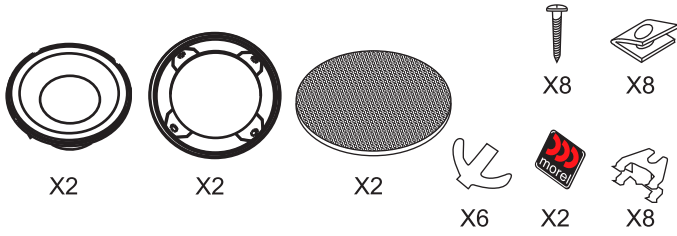


9" UNIT MOUNTING

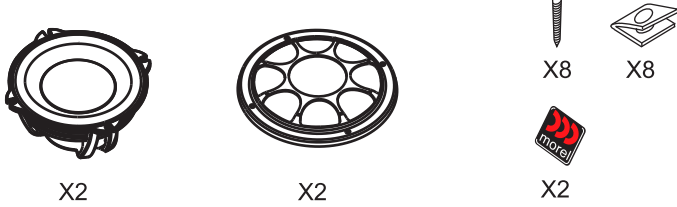


HYBRID OVATION PACKAGE CONTENT

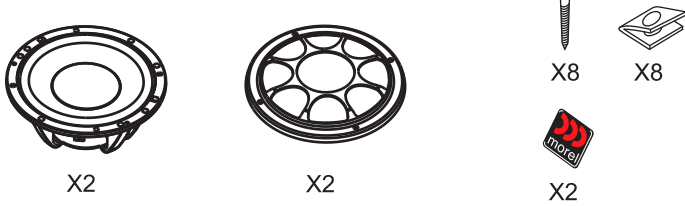
4" HYBRID OVATION WOOFER



5" HYBRID OVATION WOOFER

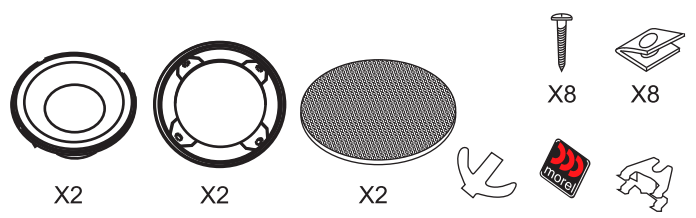


6" HYBRID OVATION WOOFER

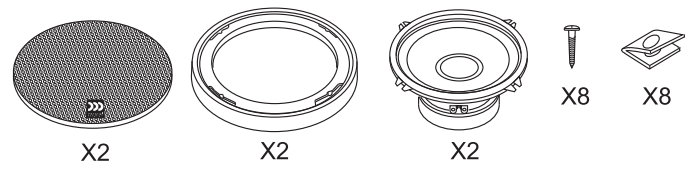


DOTECH MKII PACKAGE CONTENT

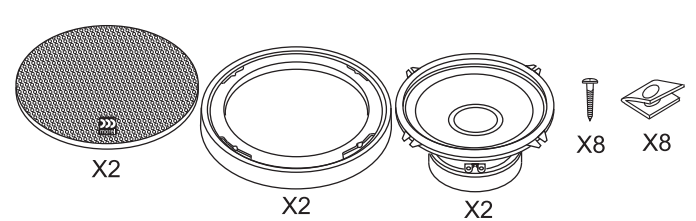
4" DOTECH MKII WOOFER



5" DOTECH MKII WOOFER

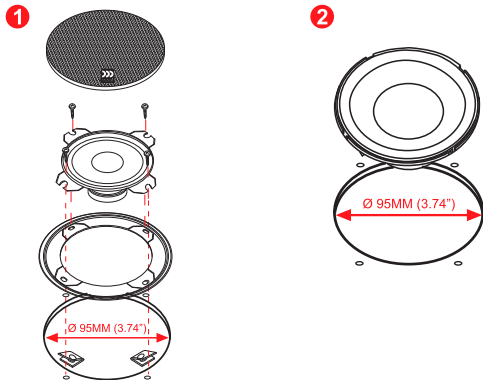


6" DOTECH MKII WOOFER



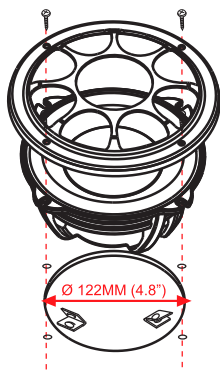
HYBRID OVATION WOOFER MOUNTING

4" UNIT MOUNTING

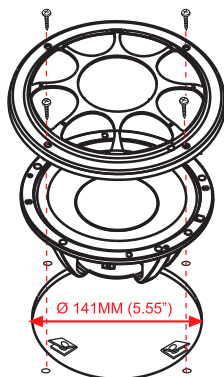


- 1 Use the screw clips in any combination, with or without the plastic frame. These clips can be used either way up down depending on installation requirements.
- 2 Use the non-screw clips to install in locations which do not require screws. Insert the clips in the small holes on the side of the loudspeaker according to your requirements.

5" UNIT MOUNTING



6" UNIT MOUNTING

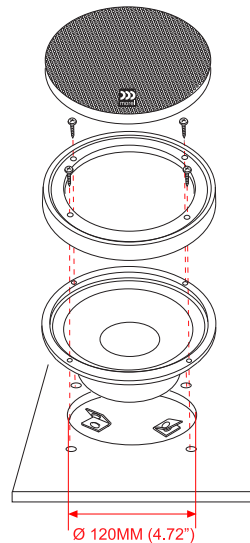


DOTECH MKII WOOFER MOUNTING

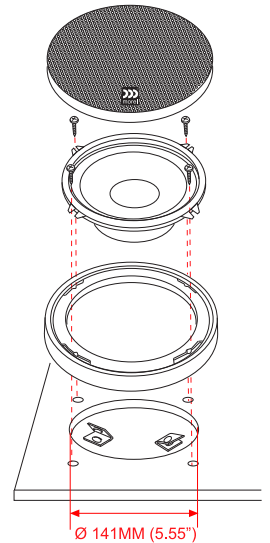
4" UNIT MOUNTING

- 1 Use the screw clips in any combination, with or without the plastic frame. These clips can be used either way up down depending on installation requirements.
 - 2 Use the non-screw clips to install in locations which do not require screws. Insert the clips in the small holes on the side of the loudspeaker according to your requirements.
-

6" UNIT MOUNTING



5" UNIT MOUNTING



PRODUCT SPECIFICATIONS

WOOFERS

	Elate SW 5	Elate SW 6	Elate SW 9	Elate SW 10	Hybrid Ovation 4	Hybrid Ovation 5	Hybrid Ovation 6
Nominal Impedance	4.00 ohm	4.00 ohm	4.00 ohm	4.00 ohm	4.00 ohm	4.00 ohm	4.00 ohm
Power Handling	160W	200W	200W	200W	100W	150W	160W
Max. Transient Power Handling	1000W	1000W	1000W	1000W	300W	500W	600W
Sensitivity (2.83V/1M)	88dB	89dB	91dB	92dB	89dB	91dB	91dB
Frequency Response	35–3600Hz	25–4000Hz	20–3300Hz	15–3000Hz	50–4200Hz	35–3000Hz	35–3000Hz
FS	55Hz	50Hz	40Hz	32Hz	82Hz	60Hz	55Hz
Voice Coil Diameter	75.00mm (3.00")	75.00mm (3.00")	75.00mm (3.00")	75.00mm (3.00")	54.00mm (2.10")	54.00mm (2.10")	54.00mm (2.10")
Voice Coil Height	14.50mm (0.57")	14.50mm (0.57")	14.50mm (0.57")	14.50mm (0.57")	10.50mm (0.41")	10.50mm (0.41")	10.50mm (0.41")
Voice Coil Type/ Former	Aluminum	Aluminum	Aluminum	Aluminum	Aluminum	Aluminum	Aluminum
Voice Coil Wire	Hexatech aluminum	Hexatech aluminum	Hexatech aluminum	Hexatech aluminum	Hexatech aluminum	Hexatech aluminum	Hexatech aluminum
DC Resistance	3.70 ohm	3.70 ohm	3.70 ohm	3.80 ohm	4.20 ohm	3.70 ohm	3.20 ohm
Voice Coil Inductance @1kHz	0.39MH	0.38MH	0.72MH	0.63MH	0.34MH	0.31MH	0.24MH
Magnet System	Hybrid rear vented	Hybrid rear vented	Hybrid rear vented	Hybrid rear vented	Hybrid rear vented	Hybrid rear vented	Hybrid rear vented
HE-Magnetic Gap Height	6.00mm (0.25")	6.00mm (0.25")	6.00mm (0.25")	6.00mm (0.25")	5.00mm (0.20")	5.00mm (0.20")	5.00mm (0.20")
B-Flux Density	0.80T	0.80T	0.90T	0.95T	0.85T	1.00T	1.00T
BL Product/BXL	6.15	6.35	7.04	9.36	5.92	4.33	4.47
Max. Linear Excursion/Xmax	8.50mm (±4.25mm)	8.50mm (±4.25mm)	8.50mm (±4.25mm)	8.50mm (±4.25mm)	5.50mm (±2.75mm)	5.50mm (±2.75mm)	5.10mm (±2.75mm)
Suspension Compliance CMS	676	721	706	518	551	921	870
Mechanical Q Factor QES	0.42	0.39	0.42	0.46	0.41	0.55	0.49
Total Q Factor Q/T	0.35	0.33	0.35	0.36	0.35	0.45	0.42
QMS	1.99	2.06	2.09	1.69	2.44	2.54	2.69
Mechanical Resistance RMS	1.03kgS ¹	1.03kgS ¹	1.28kgS ¹	2.92kgS ¹	0.68kgS ¹	0.52kgS ¹	0.60kgS ¹
Moving Mass MMS	11.80gr (0.42oz)	13.56gr (0.48oz)	21.63gr (0.76oz)	49.20gr (1.74oz)	6.48gr (0.23oz)	7.00gr (0.25oz)	9.30gr (0.33oz)
Equivalent Cas Air Load VAS	8.00L (0.28ft ³)	14.35L (0.51ft ³)	47.50L (1.68ft ³)	76.40L (2.70ft ³)	3.17L (0.11ft ³)	10.50L (0.37ft ³)	17.30L (0.61ft ³)
Effective Piston Area SD	90cm ² (13.95in ²)	119cm ² (18.45in ²)	219cm ² (33.95in ²)	324cm ² (50.22in ²)	64cm ² (9.92in ²)	90cm ² (13.95in ²)	119cm ² (18.45in ²)
Cone Type	One-piece formed	One-piece formed	One-piece formed	One-piece formed	One-piece formed	One-piece formed	One-piece injected
Cone Material	DPC	DPC	DPC	DPC	DPC	DPC	DPC
Unit Diameter	135.00mm (5.25")	165.00mm (6.50")	222.00mm (8.75")	263.00mm (10.35")	104.00mm (4.00")	135.00mm (5.25")	165.00mm (6.50")
Mounting Depth	60.00mm (2.36")	61.00mm (2.37")	71.00mm (2.80")	74.00mm (2.91")	50.00mm (2.00")	60.00mm (2.36")	61.00mm (2.37")
Mounting Cutout	120.00mm (4.72")	141.00mm (5.55")	192.00mm (7.56")	230.00mm (9.05")	95.00mm (3.74")	120.00mm (4.72")	141.00mm (5.55")
Net Weight	1.05kg (2.31lb)	1.18kg (2.60lb)	1.42kg (3.13lb)	1.47kg (3.24lb)	0.53kg (1.17lb)	0.60kg (1.32lb)	0.73kg (1.61lb)

	Dotech MKII 4	Dotech MKII 5	Dotech MKII 6
Nominal Impedance	4.00 ohm	4.00 ohm	4.00 ohm
Power Handling	100W	120W	140W
Max. Transient Power Handling	300W	300W	300W
Sensitivity (2.83V/1M)	88dB	90dB	90dB
Frequency Response	50–4000Hz	45–4500Hz	40–4000Hz
FS	95Hz	70Hz	57Hz
Voice Coil Diameter	54.00mm (2.10")	54.00mm (2.10")	54.00mm (2.10")
Voice Coil Height	8.00mm (0.57")	10.50mm (0.41")	10.50mm (0.41")
Voice Coil Type/ Former	Aluminum	Aluminum	Aluminum
Voice Coil Wire	Hexatech aluminum	Hexatech aluminum	Hexatech aluminum
DC Resistance	3.00 ohm	3.20 ohm	3.20 ohm
Voice Coil Inductance @1kHz	0.17MH	0.16MH	0.20MH
Magnet System	Double ferrite rear vented	Double ferrite rear vented	Double ferrite rear vented
HE-Magnetic Gap Height	4.00mm (0.16")	4.00mm (0.16")	4.00mm (0.16")
B-Flux density	0.65T	0.65T	0.65T
BL Product/BXL	2.53	2.76	2.97
Max. Linear Excursion/Xmax	4.00mm (±2.00mm)	5.50mm (±2.75mm)	5.50mm (±2.75mm)
Suspension Compliance CMS	456	629	767
Mechanical Q factor QES	1.41	1.38	1.35
Total Q Factor Q/T	0.98	1.04	1.09
QMS	3.29	4.19	5.60
Mechanical Resistance RMS	0.39kgS ¹	0.36kgS ¹	0.32kgS ¹
Moving Mass MMS	4.35gr (0.15oz)	6.95gr (0.25oz)	10.00gr (0.35oz)
Equivalent Cas Air Load VAS	2.68L (0.09ft ³)	7.16L (0.25ft ³)	15.30L (0.54ft ³)
Effective Piston Area SD	64cm ² (9.92in ²)	90cm ² (13.95in ²)	119cm ² (18.45in ²)
Cone Material	Composite cellular fiber	Composite cellular fiber	Composite cellular fiber
Unit Diameter	104.00mm (4.00")	135.00mm (5.25")	165.00mm (6.50")
Mounting Depth	50.00mm (2.00")	60.00mm (2.36")	60.00mm (2.36")
Mounting Cutout	95.00mm (3.74")	120.00mm (4.72")	141.00mm (5.55")
Net Weight	0.54kg (1.19lb)	0.55kg (1.21lb)	0.60kg (1.32lb)

Elate, Hybrid Ovation, Dotech MKII, Supremo, Integra Ovation, Pulse, and Accuset are trademarks of Morel. Specifications and design are subject to change without notice.